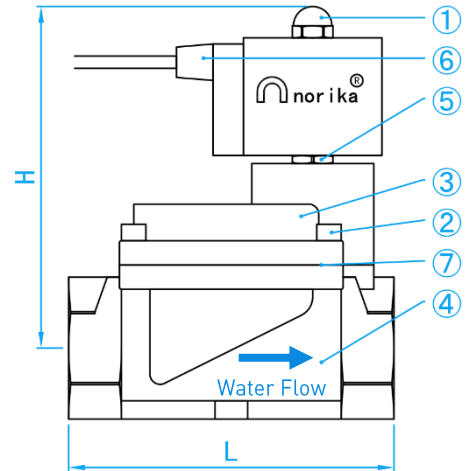
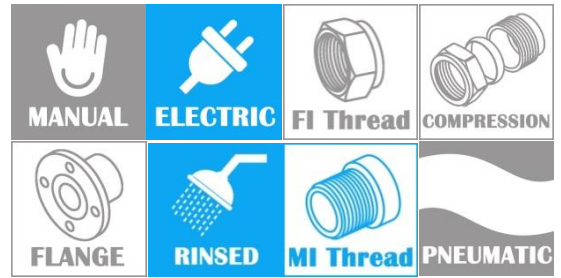
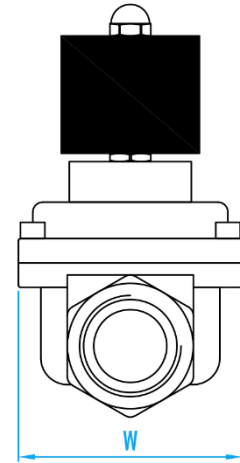


2/2 WAY STAINLESS STEEL 304 PILOT PISTON TYPE FLUID SOLENOID VALVE (NORMALLY CLOSED IP67)

COMPLY WITH BS EN 12288:2010
ASTM E 1086:2014
BS EN 10088-2:2014
AS/NZS 4020:2018
SS 375:2015
SS 270:2015



FRONT VIEW



SIDE VIEW

* Note: Normally closed when powered off.

STANDARD SPECIFICATIONS

| | |
|-----------------------|-----------------------------------|
| Nominal Pressure | 0.5-16 Bar |
| Voltage Rating | 240V AC, 24V AC, 24V DC |
| Rated Power | 22W |
| Medium | Fluids With Viscosity below 50CST |
| Operating Temperature | -5°C ~ 120°C |
| Waterproof Grade | IP67 |

DIMENSIONS

| SKU | DIN (mm) | L (mm) | W (mm) | H (mm) | WEIGHT (kg) | PCS/CTN |
|---------------|----------|--------|--------|--------|-------------|---------|
| SVSSN015 IP67 | 15 | 69 | 48.5 | 110 | 0.950 | 25 |
| SVSSN020 IP67 | 20 | 79 | 55.5 | 118 | 1.133 | 25 |
| SVSSN025 IP67 | 25 | 96 | 70.0 | 124 | 1.600 | 20 |
| SVSSN035 IP67 | 35 | 109 | 70.0 | 128 | 1.800 | 10 |
| SVSSN042 IP67 | 42 | 128 | 95.0 | 139 | 2.900 | 10 |
| SVSSN050 IP67 | 50 | 150 | 100.0 | 148 | 4.000 | 6 |

COMPONENT PARTS

| ITEM | PARTS | MATERIAL |
|------|----------------|----------|
| 1. | Nut & Washer | AISI304 |
| 2. | Bolt | AISI304 |
| 3. | Valve Bonnet | AISI304 |
| 4. | Valve Body | AISI304 |
| 5. | Spring Plunger | AISI304 |
| 6. | DIN Box | BMC |
| 7. | O-Ring | FKM |